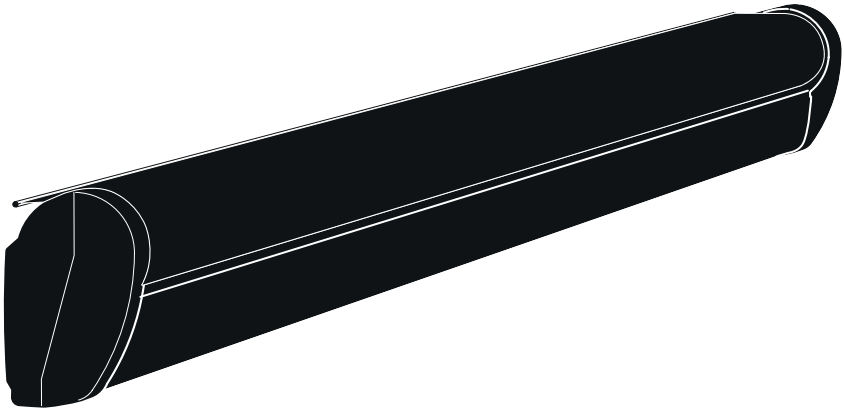


➤ Instructions

Thule Omnistor Regal

Motor 12 V



Manufactured for



LIPPERT
COMPONENTS[®]

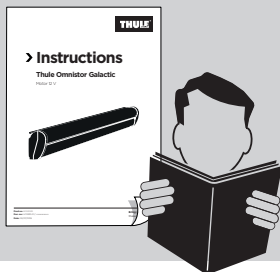
Prod no.: 301780-301782-301784-301786-301788-301790-301791

Doc. no.: LC1900-03 / 3380051600

Date: 01/13/21

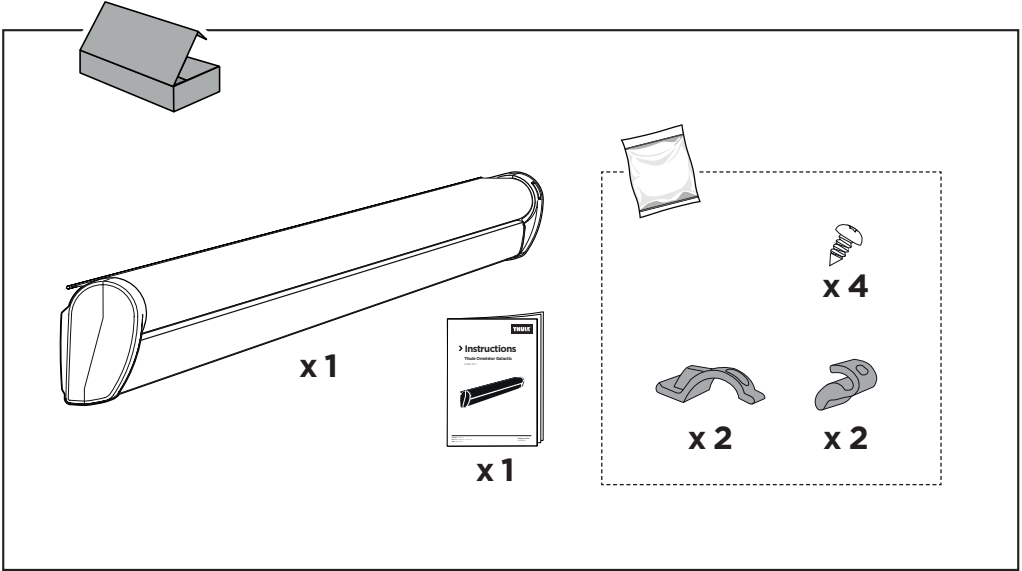
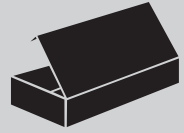
Bring your life
thule.com

TABLE OF CONTENTS



1	CONTENT	p 4
2	GUIDELINES	p 5
3	WIND SENSOR SETTINGS	p 12
4	OPEN THE AWNING	p 13
5	CLOSE THE AWNING	p 14
6	INSTALLATIONS	p 15
7	PITCH CONTROL	p 23
8	MANUAL OVERRIDE	p 24
9	ADJUST ARMS	P 25

1 CONTENT



	10.9 ft	12 ft	14 ft	16 ft	18 ft	20 ft	21 ft
	3.28 m	3.66 m	4.27 m	4.88 m	5.49 m	6.10 m	6.40 m
	73.19 lbs 33.20 kg	78.48 lbs 35.60 kg	89.07 lbs 40.40 kg	96.12 lbs 43.60 kg	103.18 lbs 46.80 kg	110.23 lbs 50.00 kg	120.37 lbs 54.60 kg

2 GUIDELINES



A WARNING INDICATES A POTENTIALLY HAZARDOUS SITUATION WHICH, IF NOT AVOIDED, COULD RESULT IN DEATH OR SERIOUS INJURY AND/OR MAJOR PROPERTY DAMAGE.



A CAUTION INDICATES A POTENTIALLY HAZARDOUS SITUATION THAT MAY CAUSE MINOR TO MODERATE PERSONAL INJURY AND/OR PROPERTY DAMAGE. IT MAY ALSO BE USED TO ALERT AGAINST UNSAFE PRACTICES.



A NOTE INDICATES FURTHER INFORMATION ABOUT A PRODUCT, PART, OR STEP.



A TIP PROVIDES HELPFUL SUGGESTIONS.

SAFETY / WARNINGS

When starting the vehicle, the awning should be closed.

Keep a safe distance away from the awning when using heat sources (barbecues, camping heater, open fires, ...). The fabric can be damaged by heat or catch fire!

An awning is a sun and not an all-weather protection. The awning should be closed in case of storm, snow, hail or heavy rain fall (avoid formation of a water pocket).

Carefully follow the assembly instructions and the recommendation list, if one is included. Then fit the unit in the correct sequence, that is to say 1, 2, 3 and so on.

The manufacturer can not be held responsible for personal damages of property or lost of fortune caused by incorrect mounting or use of the product.

Please observe the safety instructions and stipulations issued by the vehicle manufacturer and service workshops.

The manufacturer accepts no liability for damage in the following cases:

- Damage to the product resulting from mechanical influences and excess voltage
- Alterations to the product without express permission from the manufacturer
- Use for purposes other than those described in the operating manual

No modifications to the product are permitted.

Consult with your dealer if you have any questions regarding the operations and limits of the products. Review all instructions and warranty information carefully.

Check and replace worn-out or defective parts.

Moving parts can pinch, crush or cut. Keep clear and use caution.

Read the Safety manual and all instructions and keep these for future reference.

Periodically check the fixing status of the brackets, especially after having traveled the first Kms from the assembly and every time before and after long journeys, making sure that they have not moved and that the tightening is correct.

Before leaving, make sure the awning is correctly closed. A damaged fabric does not allow the awning to perfectly roll in. Never use the awning with a damaged fabric.

To avoid shock hazard and/or accidental system shorting, always disconnect battery or power source before working on or around the electrical system.

Awnings have significant weight. Always use appropriate lifting devices and/or helpers when lifting or holding heavy objects.

When using fasteners, use care to not over tighten.

Do not remove any of the shipping wrap around the roller tube, the ties around the arms until instructed to do so in the installation steps.

Do not drive the vehicle if the fabric is damaged or torn, even if the awning has been properly retracted. The awning arms are held in place by the fabric. If the fabric rips while driving, the awning will suddenly shoot out. This can lead to serious injury. Secure the awning so that it cannot extend suddenly and unexpectedly while driving.

Do not approach the awning:

- if it was left open during heavy winds
- if pools of water have formed on it
- if snow has accumulated on it
- if any debris is on the awning fabric.

The awning may move unexpectedly, become unstable and bend or break. Beware of injury.

Keep a sufficient distance from objects or other vehicles. Once it is retracted, it should be at least 15.75" (40 cm) away from other objects and vehicles on all sides.

If the connection cable of the awning is damaged, it must be replaced by an expert.

Disconnect the power supply by means of the on/off switch before you clean the vehicle near the awning or the awning itself.

Do not leave the extended awning unattended. Retract the awning before leaving your location.

This device can be used by children aged 8 years or over, as well as by persons with diminished physical, sensory or mental capacities or a lack of experience and knowledge, providing they are supervised, or have been taught how to use the device safely and are aware of the resulting risks.

Electrical devices are not toys. Keep out of the reach of children. Prevent children from playing with the switch.

Park the motorhome or caravan so that no debris (branches, leaves or similar) can get onto the fabric.

The fabric of the awning should not hang down at the edges but must be taut at all times. If the fabric hangs down, it could rub on the arms and get damaged.

The fabric should not sag in the middle with long awnings.

Only retract the awning when the fabric is free of debris (branches, leaves or similar). Otherwise the awning can be damaged when it is retracted.

Only retract the awning if it is wet for safety reasons. Extend it again as soon as possible. Otherwise, mildew or stains can form or the colour may fade.

Do not use any sprays (e. g. insect repellent, hairspray) near the awning. This will soil the fabric or the water-repellent effect of the fabric will be lost.

Never leave children unattended with the packaging material. The packaging material represents a danger of suffocation. Children frequently underestimate the dangers. Always keep children away from the packaging material. This device is not a toy.

Be vigilant at all times, and always be careful what you are doing. Do not use electrical equipment if you are lacking in concentration or awareness, or are under the influence of drugs, alcohol or medication. Even a moment of inattentiveness can lead to serious accidents and injuries when using electrical equipment.

This operating manual must be read and understood before the device is set up, operated, cleaned or serviced.

This device must be installed by a specialist. Improper installation can lead to serious injury. Alterations to the device can be extremely dangerous and lead to serious injury or damage to the device. If you do not have sufficient technical knowledge for installing components in vehicles, you should have a specialist fit the awning to your vehicle.

Do not use the awning if any settings or maintenance work are required. If you discover any damage, please contact your dealer in the respective country.

An awning is a sun (to provide shade) and not an all-weather protection. The awning should be closed in case of storm, snow, hail or heavy rain fall (avoid formation of a water pocket). The effects of wind and rain on an awning are unpredictable and can cause severe damage to the awning and/or the vehicle. If wind or extended periods of rain are expected, retract the awning and secure.

The Thule awning has a electronic auto-retract system that provides protection against adverse elements; but no auto-retract system is a guarantee against severe or destructive weather; the effects of wind and rain on an awning are unpredictable and may cause severe damage to the awning and/or vehicle. If wind or extended periods of rain are expected, roll up the awning.

The Thule awning is a free-standing (self-supporting) awning with auto retract. Do not hang items from the awning or use tie down devices. Use of such objects can cause serious damage to the awning that is not covered by warranty.

The auto-retract system is ON when the power is ON. The system is OFF when the power switch is set to OFF. If the power is shut off while the awning is extended, the awning is not protected by the auto-retract system.

Close the awning at a less warm temperature of the day to avoid creases in the fabric of the awning.

INSTALLATION

Before installation, ensure compatibility with the vehicle on which the product must be installed. Checking that the wall is sufficiently solid and suitable for guaranteeing the resistance of the anchoring points is always mandatory.

Check with the assembly instructions that all the necessary parts are present.

If there is insufficient space above the door after the awning is mounted, the door must remain closed when retracting or extending to avoid the door making contact with the arms or the front panel. The required space depends on the design of the door (door width, swing or sliding door) as well as the set awning angle of inclination.

Before installation, check the access to the screw joints. Make sure no cables or cabinets, gas pipes are damaged when drilling.

The brackets must be secured to a backing plate as large as the brackets. The backing plate must be fully attached to the structure of the vehicle. - Aluminium backing plates must be a minimum 0.125" thick (3,2 mm) - Steel backing plates must be a minimum 13 gauge (0.09" thick - 2,3 mm) - Wood backing plates must be thick enough to allow a minimum of 1.5" (38,1 mm) of thread engagement.

Installation must be carried out by a qualified person. 1-3 people, depending on task of the installation.

Check if you have a solid background for installation of the adapters of the awning. Before drilling, be sure that there is no obstacle at the inside (for example electric cables, gas pipes and so on).

The adapters must support the awning at the awnings spring arms for a correct and stable mounting.

Thule recommends Zinc spray surface treatment (on drilled holes). Preparation according to the prescripts of the supplier.

In order to get a watertight installation, fill up the drilled holes! Thule recommends to use a sealant: SIKA 221. Observe the sealant manufacturer's instructions. Seal the bore holes carefully to ensure no moisture can enter.

Do not open the awning or leave it unattended, before the awning has been fastened to the brackets and backing plate.

The brackets must always be well aligned with one another. The awning must only be installed on brackets perfectly aligned with the wall of the vehicle. Ensure that the awning is installed horizontally.

ELECTRICAL

Only permit a qualified electrician to connect the awning to the electrical power.

Disconnect the power supply before starting the assembly.

The cables and cabinets in the interior of the vehicle must not be damaged through drilling the holes.

Observe the length of the cable between the awning motor and receiver when choosing a place to install it.

Observe the required cable cross section when connecting to the power supply:

Cable length Required cable cross section

Length		Ø	
2 m	6.5 ft	1.5 mm ²	16 AWG
4 m	13 ft	2.5 mm ²	14 AWG
6 m	19.5 ft	4.0 mm ²	12 AWG
8 m	26 ft	6.0 mm ²	10 AWG

Ensure that the awning cannot be opened while driving.

If you want to connect an awning light (accessory), make sure that its maximum power consumption is 30 W. When connecting, make sure the polarity is correct.

Installing the wall switch. Find a suitable location inside the motor home, out of direct sunlight, to install the switch.

Check the device and cable (and if applicable, the adapter) for any damage before use. If there is any visible damage, a strong odour, or excessive overheating of components, unplug all the connections immediately and stop using the device.

Unplug the device during electrical storms or when not in use.

Prior to connecting to the mains, make sure your local mains voltage matches the rating indicated on the device

To avoid shock hazard and/or accidental system shorting, always disconnect the vehicle battery and electrical sources before working with electrical wiring and components.

Do not route the wire over sharp edges or heat sources that can cut or fray the wires or wire insulation. Damage that is a result of improper routing may void warranty.

MAINTENANCE

Unplug all connections before cleaning the device.

Risk of damage!

- Never clean the awning with a high-pressure cleaner.
- Do not use abrasive cleaning agents or hard objects during cleaning, as these can damage the product. Use only soft cloth or soft brush.

Remove any debris (twigs, leaves or similar) lying on the awning fabric to prevent abrasions, stains and mildew. The awning can also get damaged when it is retracted.

Clean the awning fabric regularly to remove any dirt and dust:

- To do this, use water (water should be cold to lukewarm, never more than 100°F/37°C) with 30 ml mild detergent (for 10 L of water).
- Soap down the fabric and leave the liquid to soak in for five minutes.
- Rinse thoroughly with clean water. Make sure that the detergent is completely washed off. Otherwise it can damage the fabric.
- Leave the fabric to dry. Air dry only, never apply heat to the fabric.

Mildew is a fungus growth that looks like dirt. Vinyl coated polyester fabrics are mildew resistant because of a chemical biocide in the vinyl coating. Under ordinary conditions, mildew will not appear. However, in areas where high temperature and humidity are common, mildew can be a problem and require the material to be washed more frequently. Thoroughly rinse the fabric with clean water and allow to air dry completely before rolling up the awning.

When water collects on the top of the fabric, this is known as "pooling". This can occur during inclement weather or if a running air conditioner discharges over the awning. The water is dumped when the awning is retracted. It is recommended that if water accumulates on the top; retract the awning in steps (8"-12") to dump the water. This will help prevent the fabric from stretching or distorting.

If required, lubricate the joints of the awning with paraffin wax, teflon oil or silicone oil.

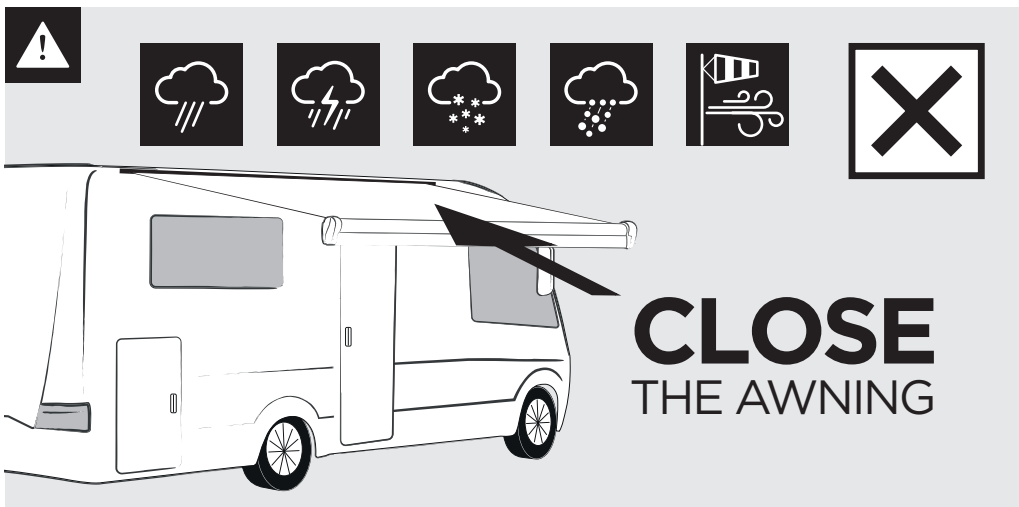
Check the awning regularly for any imbalance and wear, as well as damage to major parts.

Check the awning regularly:

- Is the fabric free of damage?
- Are the arms and front panel free of damage with no signs of wear?
- Does the awning close properly?

Do not use oil based cleaners or any caustic, granulated, or abrasive type cleaners on your Thule product.

Do not use any sprays (e. g. insect repellent, hairspray) near the awning. This will soil the fabric or the water-repellent effect of the fabric will be lost.



EXTEND / RETRACT THE AWNING



PRESS 2x
= EXTEND automatically



PRESS 2x
= RETRACT automatically



OR



PRESS 1x
= STOP / PAUSE



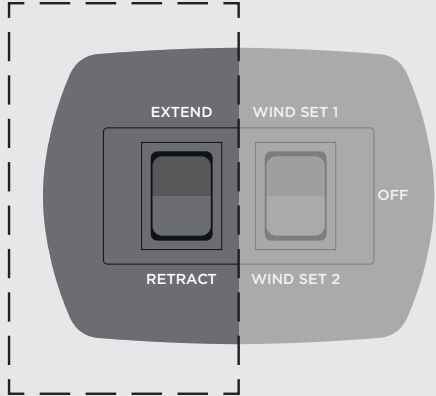
KEEP PUSHING
= EXTEND manually



KEEP PUSHING
= RETRACT manually



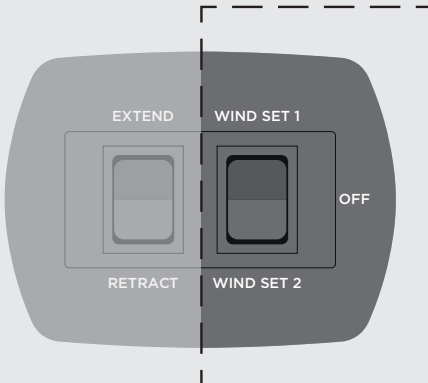
RELEASE
= STOP / PAUSE



CLOSE THE AWNING

For proper close of the awning
always **retract automatically**.

WIND SENSOR SETTINGS



PRESS 1x
= WIND SET 1



PRESS 1x
= WIND SET 2



= SENSOR OFF

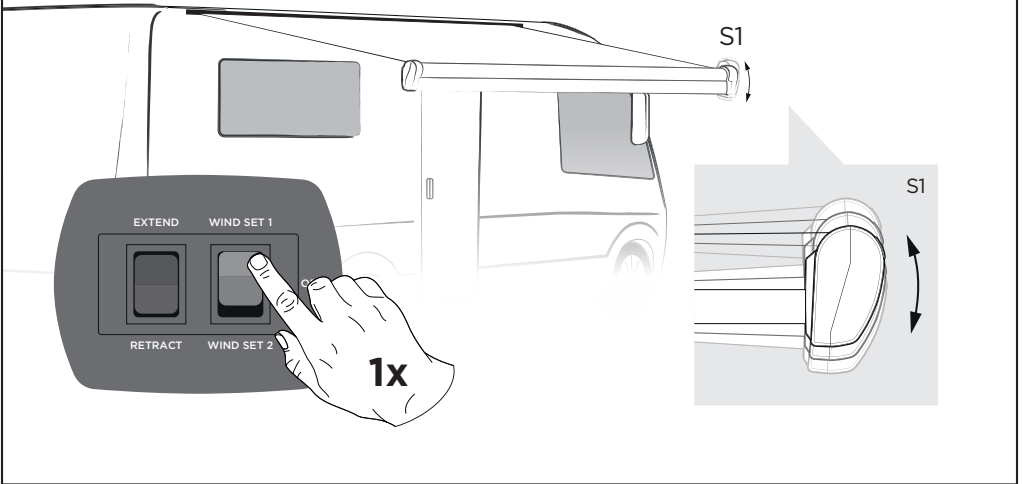


3 WIND SENSOR SETTINGS



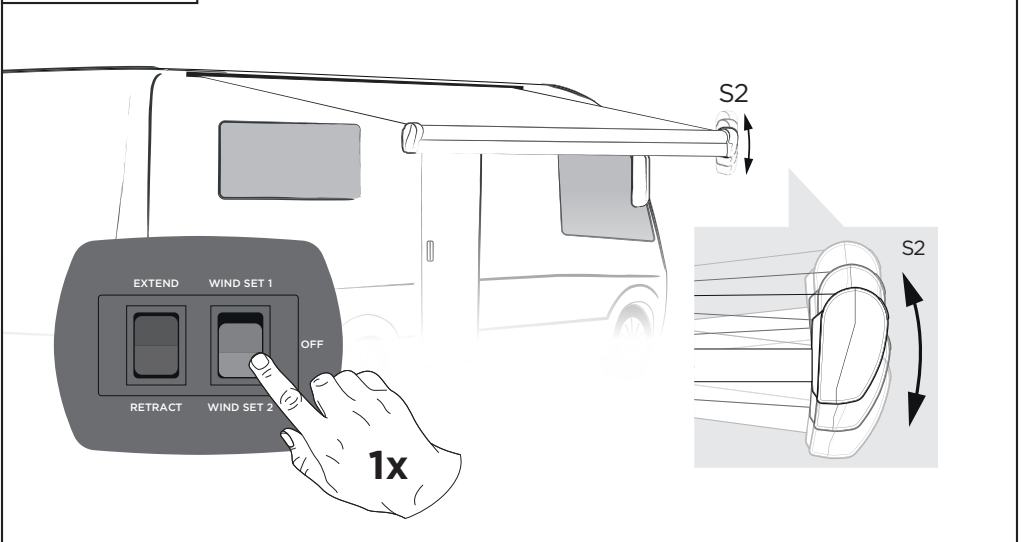
Wind Set 1

wind sensor setting to close automatically for **weaker wind**



Wind Set 2

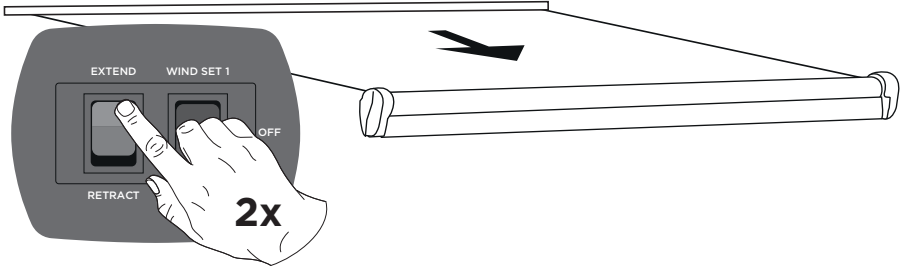
wind sensor setting to close automatically for **stronger wind**



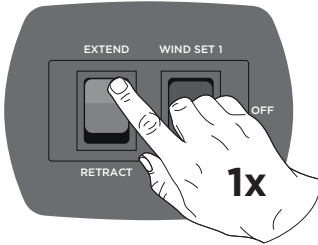
4 OPEN THE AWNING



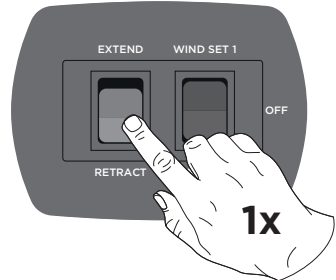
1 Extend automatically



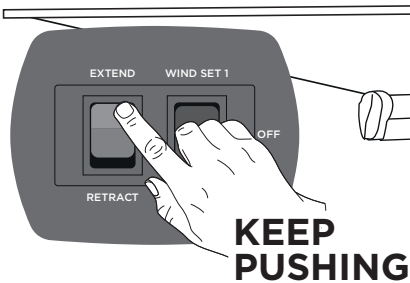
Pause



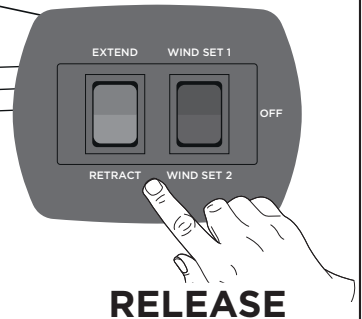
OR



2 Extend manually



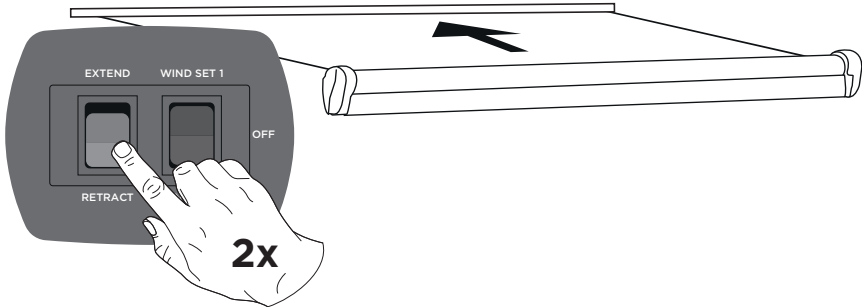
Pause / Stop



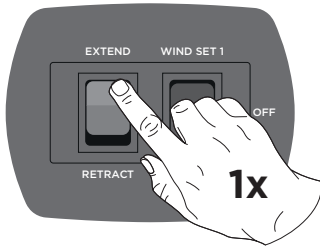
5 CLOSE THE AWNING



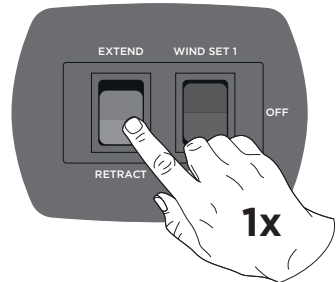
1 Retract automatically



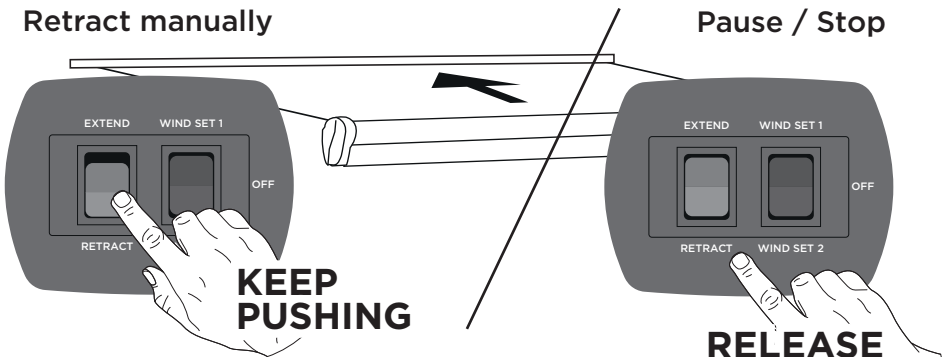
Pause



OR



2 Retract manually



CLOSE THE AWNING

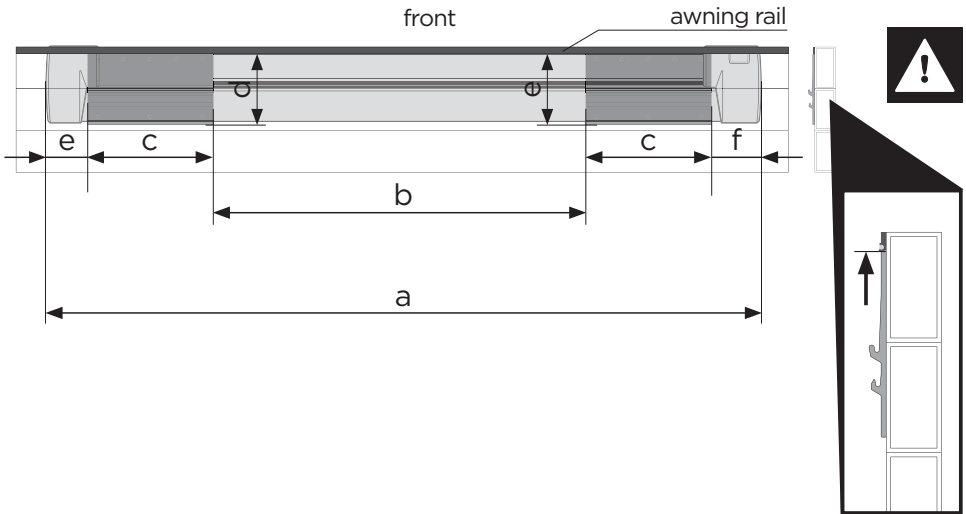
For proper close of the awning always retract automatically.

6 INSTALLATIONS



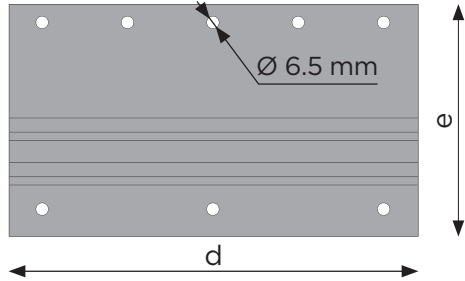
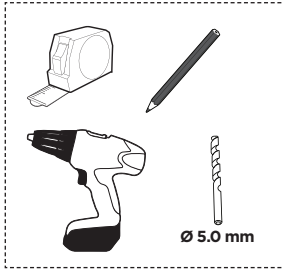
ADAPTERS

1 Position adapters and awning

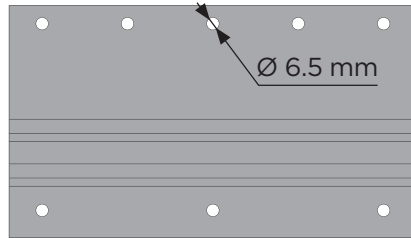
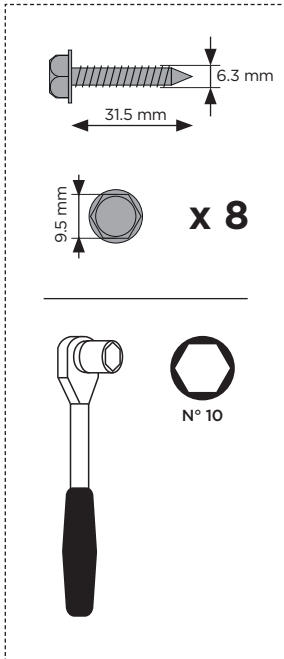


	10.9 ft	12 ft	14 ft	16 ft	18 ft	20 ft	21 ft
 a	3300 mm	3680 mm	4290 mm	4900 mm	5510 mm	6120 mm	6420 mm
b	8.4 ft 2560 mm	8.4 ft 2560 mm	10.4 ft 3170 mm	12.4 ft 3780 mm	14.4 ft 4390 mm	17.4 ft 5000 mm	17.4 ft 5300 mm
c	1.15 ft 350 mm	1.15 ft 350 mm	1.15 ft 350 mm	1.15 ft 350 mm	1.15 ft 350 mm	1.15 ft 350 mm	1.15 ft 350 mm
d	0.61 ft 185 mm	0.61 ft 185 mm	0.61 ft 185 mm	0.61 ft 185 mm	0.61 ft 185 mm	0.61 ft 185 mm	0.61 ft 185 mm
e	0.60 ft 10 mm	0.60 ft 180 mm	0.60 ft 180 mm	0.60 ft 180 mm	0.60 ft 180 mm	0.60 ft 180 mm	0.60 ft 180 mm
f	0.72 ft 35 mm	0.72 ft 220 mm	0.72 ft 220 mm	0.72 ft 220 mm	0.72 ft 220 mm	0.72 ft 220 mm	0.72 ft 220 mm

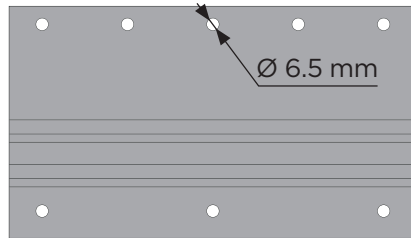
2 Predrill in the wall \varnothing 5 mm (8x) (Left and Right)



3 Screw (8x) the adapters (Left and Right)



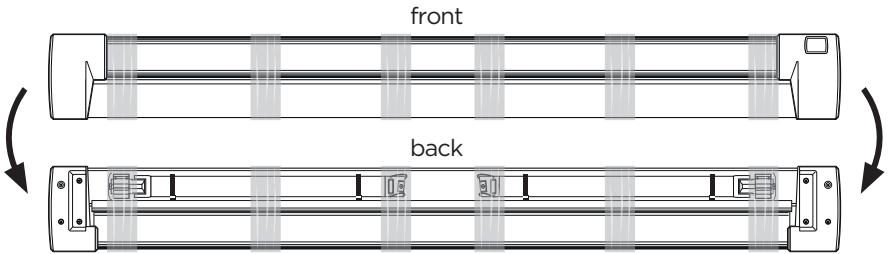
Left



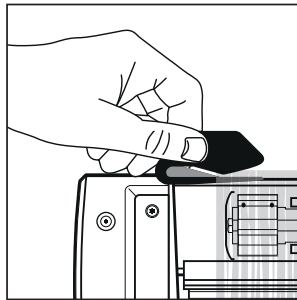
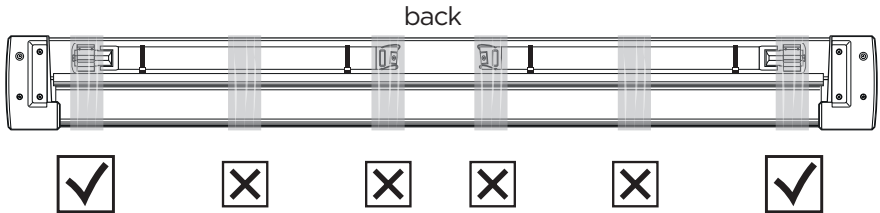
Right

THE AWNING

1 Unpack the awning

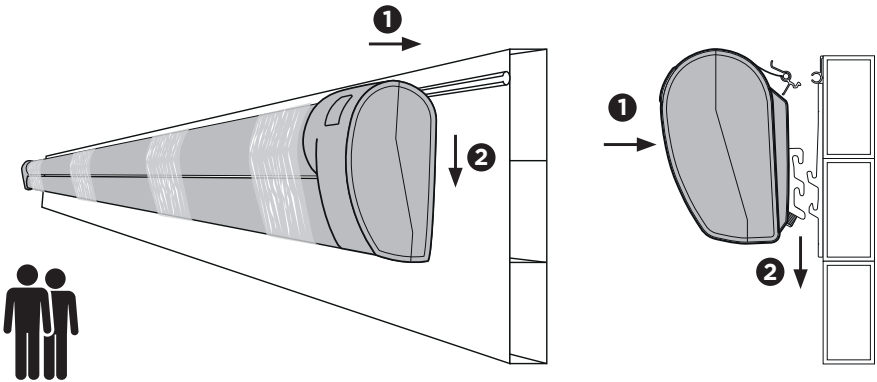


2 Remove the shrink film (2x)

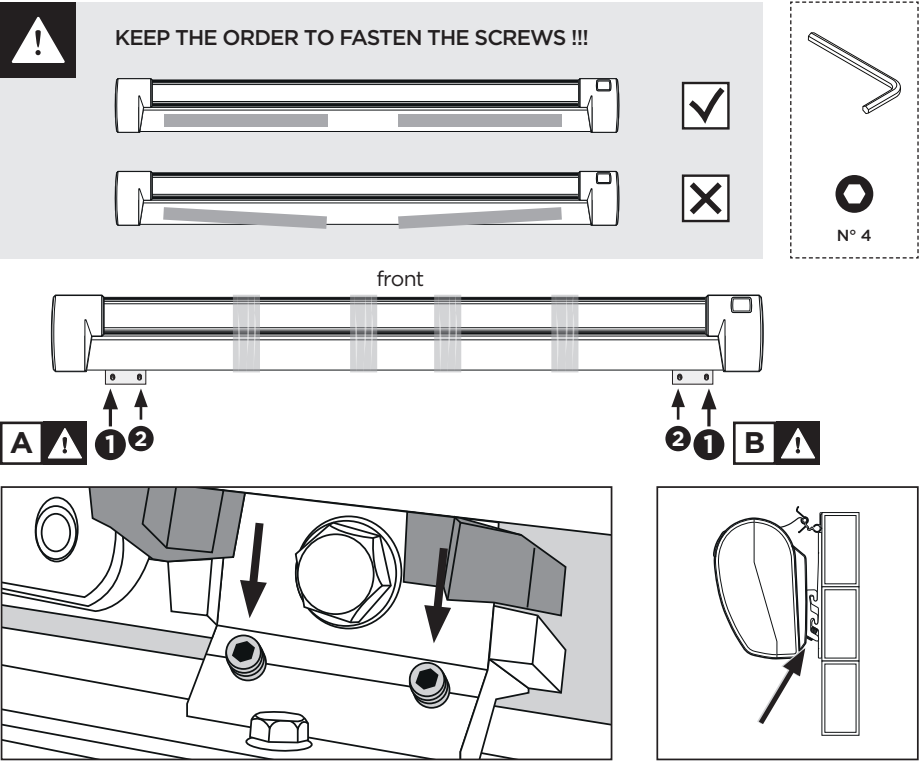


REMOVE CAREFULLY TO PREVENT DAMAGE TO THE AWNING !

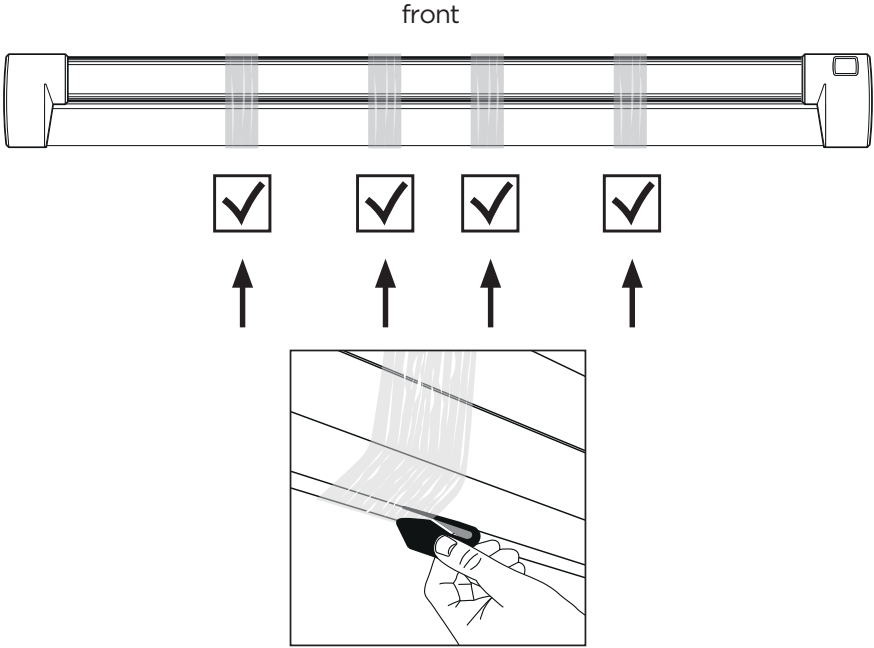
3 Hang up the awning



4 Fasten 4 screws (M8)

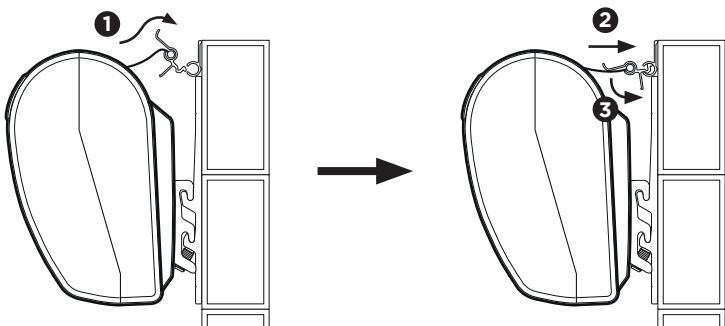


5 Remove the remaining shrink film (4x)

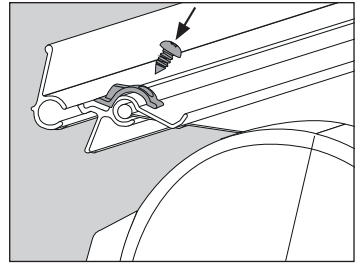
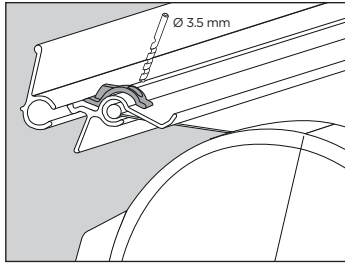
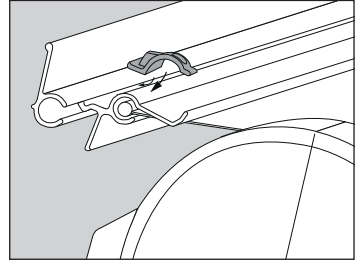
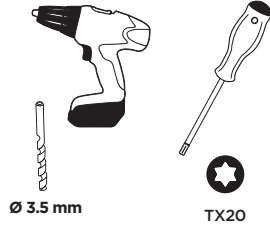
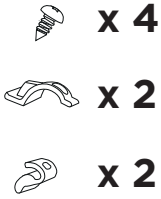


REMOVE CAREFULLY TO PREVENT DAMAGE TO THE AWNING !

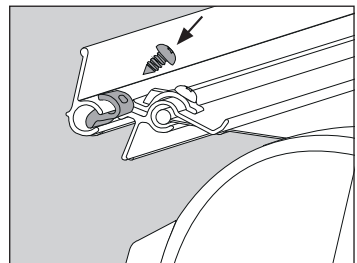
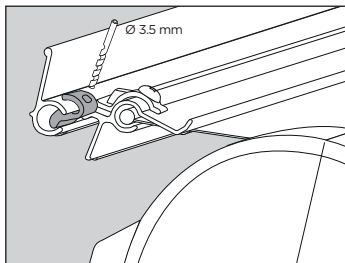
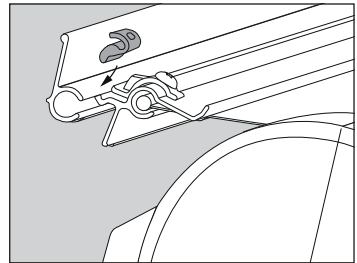
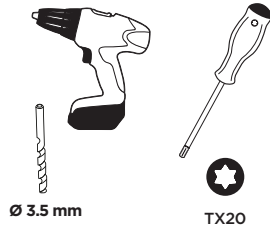
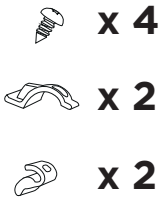
6 Hang up the awning fabric



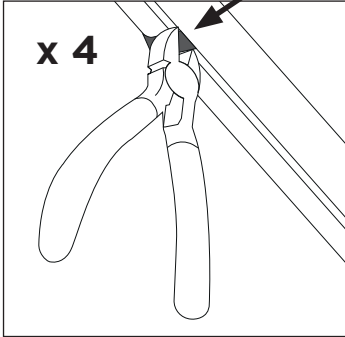
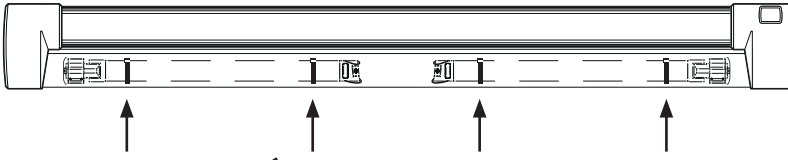
7 Place the rail plug (Left and Right)



8 Place the rail stopper (Left and Right)



9 Remove the straps (4x)

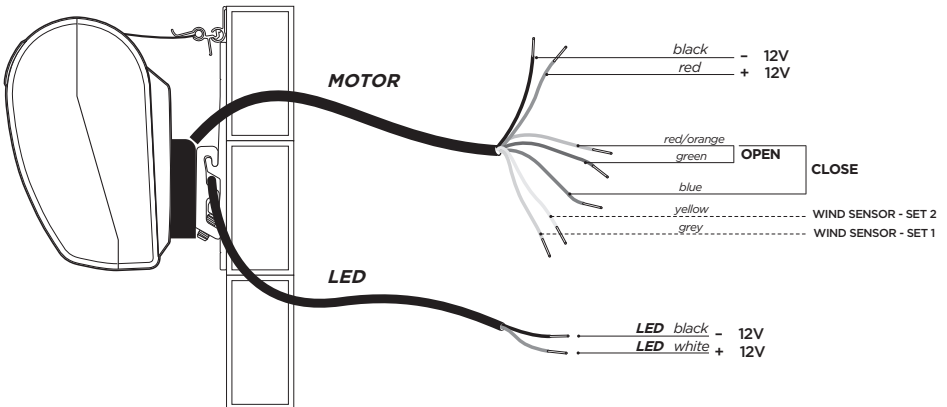
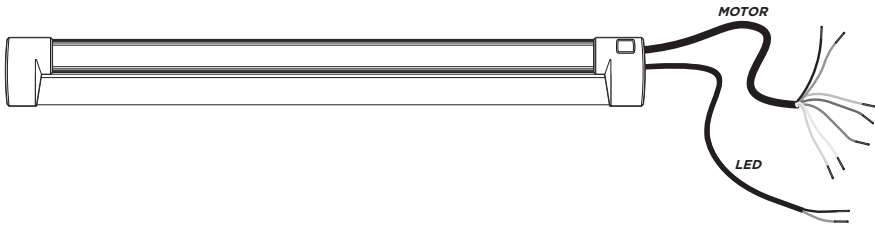


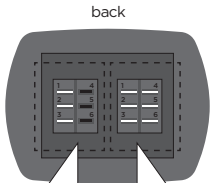
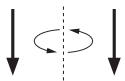
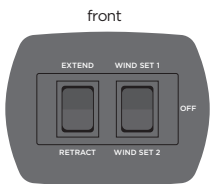
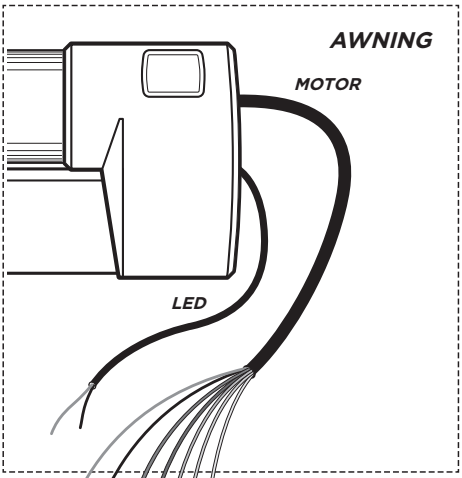
DO NOT REMOVE BEFORE YOU FINISHED STEP 6, 7 AND 8 !!!!

SEE - 2 GUIDELINES / Safety p.5

Do not remove any of the shipping wrap around the roller tube, the ties around the arms until instructed to do so in the installation steps.

10 Electrical installation



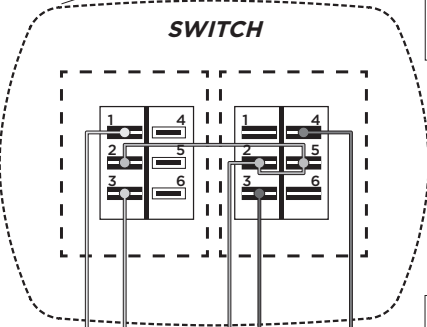


**SWITCH
wind settings**

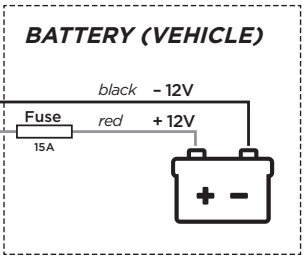
201 series
SIGMA ELKHART IN
20A 125V AC
15A 250V AC
40A 12V DC

**SWITCH
extend / retract**

201 series
201W15
SIGMA ELKHART IN
20A 125V AC UL
15A 250V AC CUL
40A 12V DC PEAK 20A
CONTINUOUS

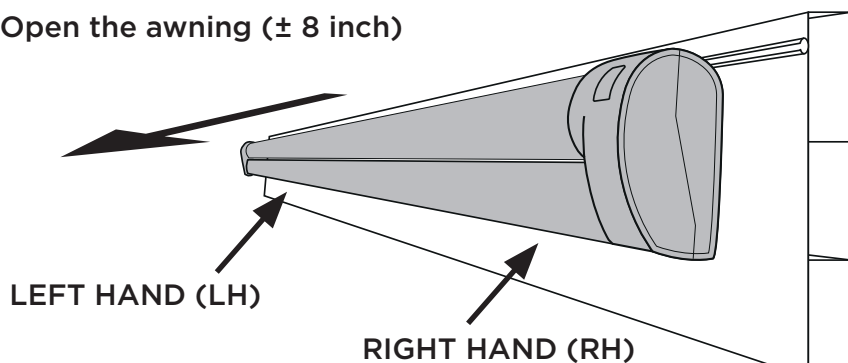


red:	+12V	16AWG
black:	ground	16AWG
yellow:	WIND SET 2	22AWG
grey:	WIND SET 1	22AWG
red/orange:	switch power	22AWG
green:	extend	22AWG
blue:	retract	22AWG

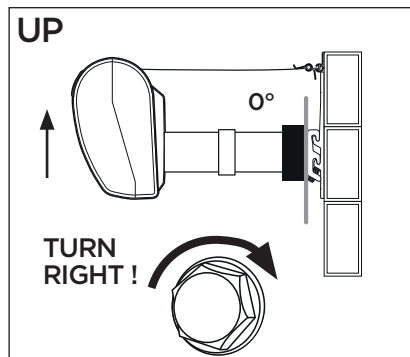
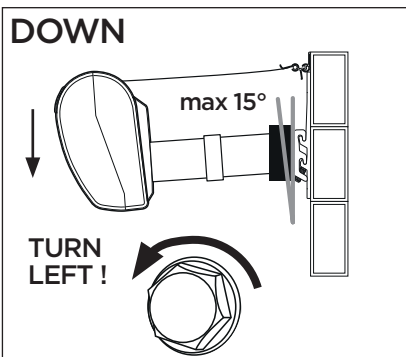
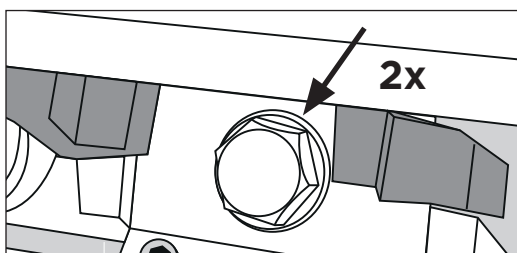
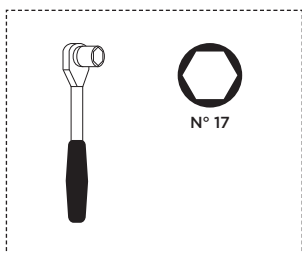


7 PITCH CONTROL

1 Open the awning (± 8 inch)



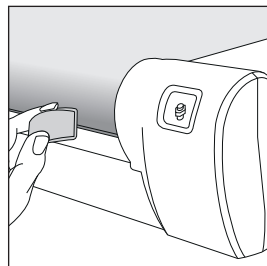
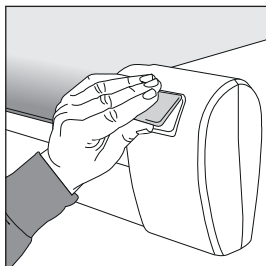
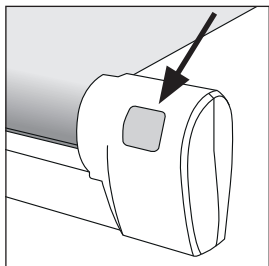
2 Turn the bolt (M10) to adjust (2x, LH and RH)



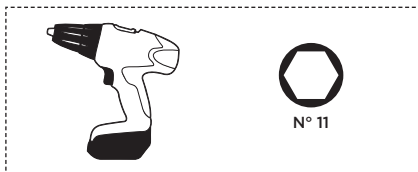
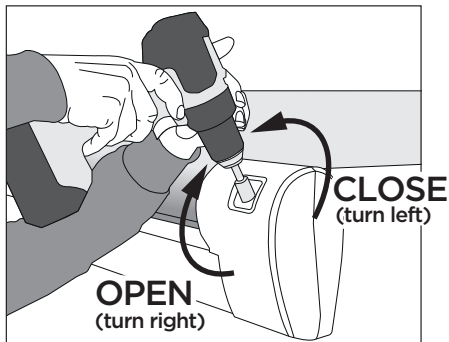
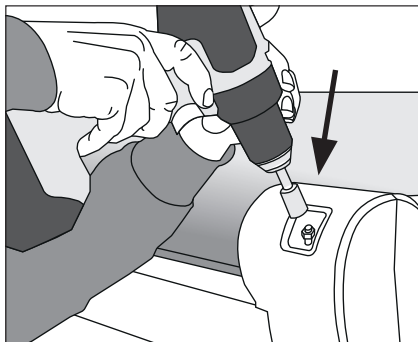
8 MANUAL OVERRIDE

Manual override to close (open) the awning when the motor doesn't work. Follow the steps below.

1 Remove the cap (right side)



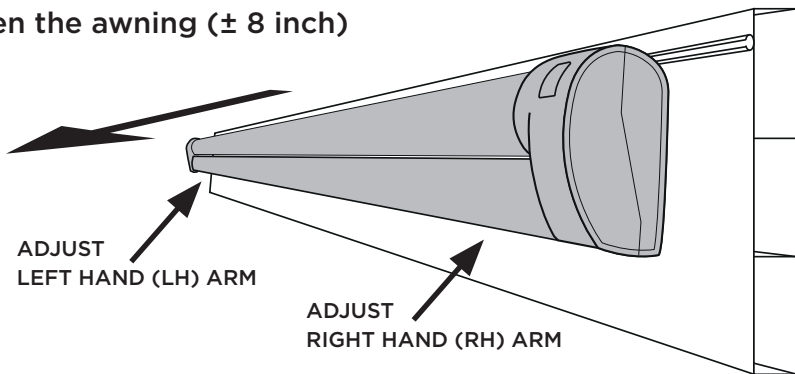
2 Close the awning by turning the nut (M7 / 1/4")



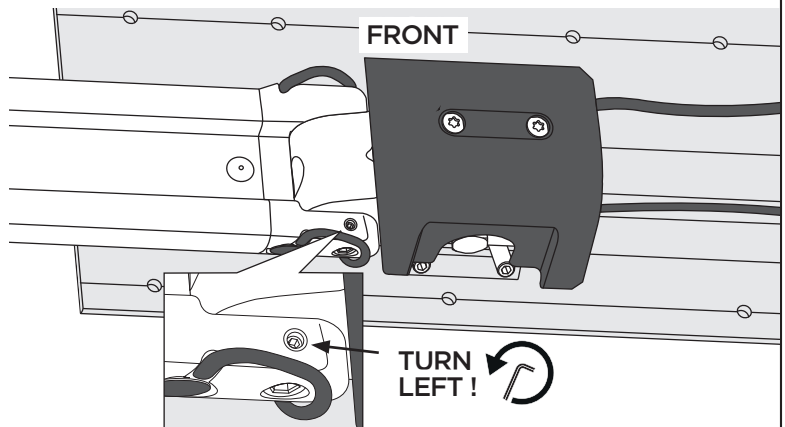
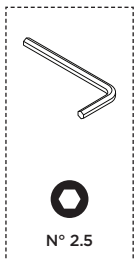
9 ADJUST ARMS



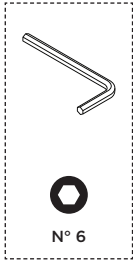
1 Open the awning (± 8 inch)



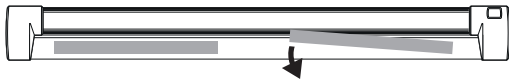
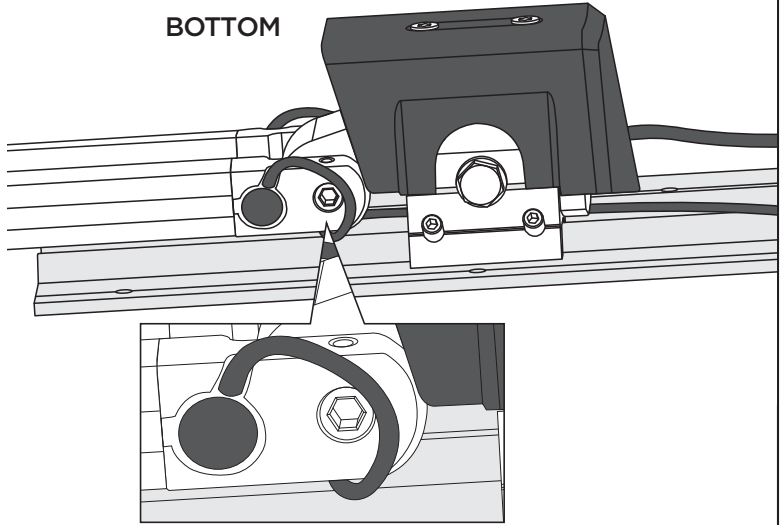
2 Loosen the locking screw



3



BOTTOM



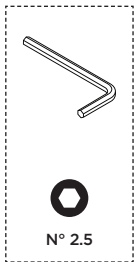
TURN LEFT!  = DOWN



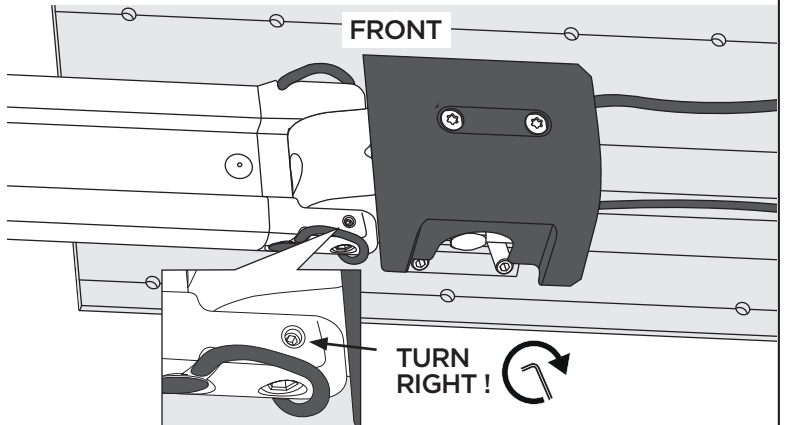
TURN RIGHT!  = UP

4

Fasten the locking screw



FRONT



TURN RIGHT! 

The contents of this manual are proprietary and copyright protected by Lippert Components, Inc. ("LCI"). LCI prohibits the copying or dissemination of portions of this manual unless prior written consent from an authorized LCI representative has been provided. Any unauthorized use shall void any applicable warranty. The information contained in this manual is subject to change without notice and at the sole discretion of LCI. Revised editions are available for free download from lippertcomponents.com

Please recycle all obsolete materials.

For all concerns or questions, please contact
Lippert Components, Inc.

574-537-8900 | lippertcomponents.com | customerservice@lci.com